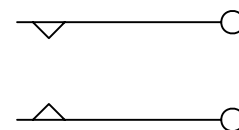
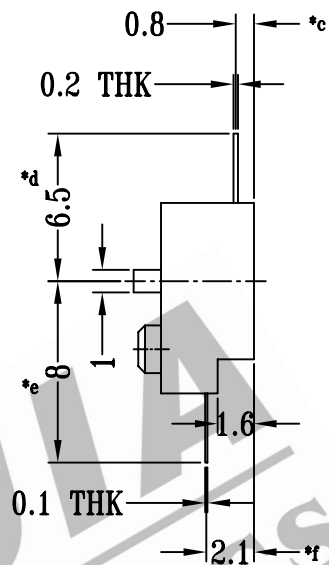
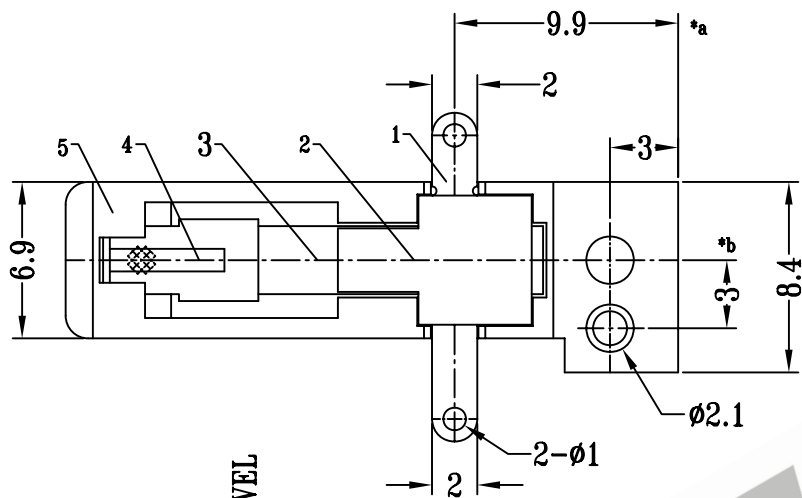
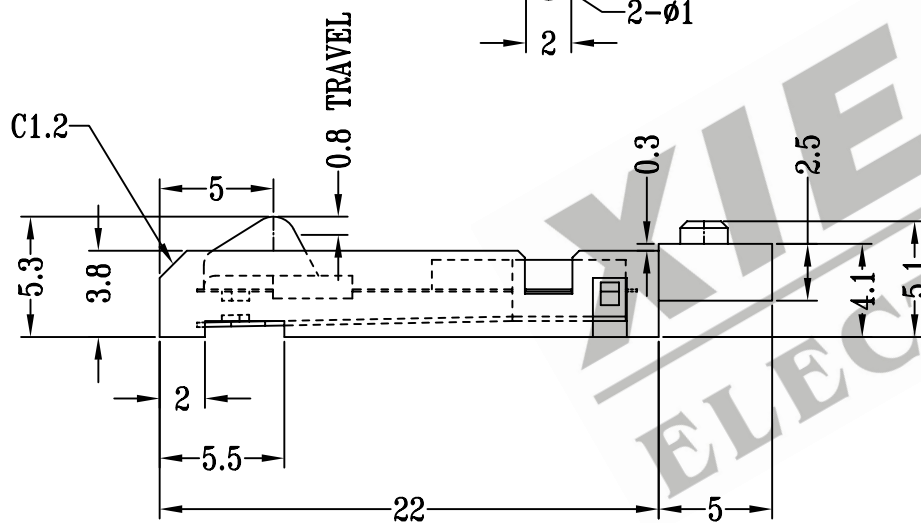


CAD FILE:



**SCHEMATIC**



注:带\*表示关键尺寸(6个)

NO.	PARTS	MATERIALS	Q'TY	FINISH	TOLERANCE UNLESS SPECIFIED	SHENZHEN XIEJIA ELECTRONICS CO.,LTD.					
8					WITHIN: 1.5±0.1mm OVER: 1.5±0.2mm	ISSUE	DATE	DESCRIPTIONS OF REVISION		APPD.	
7						TITLE : LEAF SWITCH				UNIT : mm	DRWG NO.: XJ-DR-LF008-00
6	CONTACT	NICKEL SILVER	2	NATURAL	MODEL: LF-008				SCALE: 3:1	DWN. ZHOUYU	2001-9-2
5	SLIDER	POM	1	MILKY WHITE	ALL MATERIALS MUST BE COMPLIANT TO ROHS				CHK'D FANGYING	2001-9-2	
4	KNOB	POM	1	MILKY WHITE					APPD. KANGXINAN	2001-9-2	
3	TERMINAL	PBS STRIP	1	WASHING							
2	CASE	POM	1	MILKY WHITE							
1	TERMINAL	PBS STRIP	1	WASHING							